

Code•Master™ LED Factory Sealed Luminaires

Explosionproof, Dust-Ignitionproof

NEC/CEC:

Class I, Division 1 and 2, Groups B, C, D ①
 Class I, Zone 1, Groups IIA, IIB, IIB + H₂
 Class II, Division 1, Group E, F, G
 Class II, Division 2, Group F, G

NEC/CEC:

Class III
 Simultaneous Exposure
 Type 3R, 4X
 IP66/67

NEC/CEC:

Suitable for Use in Wet Locations
 Marine Outside Type (Salt Water) ⌘
 Approved for use in Paint Spray Booths

Applications

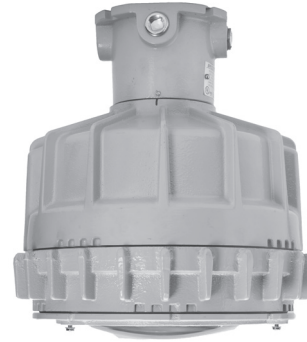
- Explosionproof fixtures suitable for use in:
 - A wide range of hazardous areas where ignitable vapors, dust, moisture and corrosive elements are present
 - Areas where access to relamp is difficult, reliability is essential, and environment is costly to maintain. Consistent light levels maintained regardless of cold temperatures
 - Areas requiring frequent on-and-off of lights or power cycling- no warm up time required
 - Type 4X, marine, wet locations and hose-down environments
 - Areas with high energy costs- Code•Master LED consumes 50% or more less power than its HID equivalent
- Typical applications include:
 - Chemical
 - Oil, Gas, and Petrochemical
 - Pulp and Paper
 - Foundries
 - Manufacturing
 - Waste and sewage treatment
 - Pharmaceutical
 - Mining
 - Power Generation
 - Paint Spray Booths

Features

- Fixture operates safely in high ambient temperatures -40 °C up to +65 °C (-40 °F up to +149 °F)
- 60,000+ hours rated life eliminates the need for frequent relamping

Nominal Lumens ②	HID Equivalent	Model Number
3,700	100W	CMLED10
5,400	150W	CMLED15
7,900	175W	CMLED17
10,000	250W	CMLED25
11,600	350W	CMLED35
13,600	400W	CMLED40
16,700	600W	CMLED75
19,300	750W	CMLED90

- Choice of color temperature (CCT): 5000K cool white, 4000K neutral white or 3000K warm white.
- Choice of optics for optimal light distribution in a variety of applications, NEMA Type V and Type V Wide.
- Arrangement of heat-producing components results in more efficient heat dissipation for cooler fixture operation.
- All threaded joints are flame-tight.
- Fixture housing and mounting hoods are copperfree cast aluminum with baked epoxy finish. All exposed hardware is stainless steel.
- Aluminum body utilizes the same Code•Master HID mounting hoods, and is an easy retrofit for existing Code•Master HID installations; can be pendant, ceiling, wall, or stanchion mounted.
- Acme double-lead threads speed installation and fixture removal from mounting hood – only half as many turns are required as for single-lead threads. The threads do not stick or gall, eliminating the troublesome problems often encountered with single lead threads during fixture unit removal.



- Safe, easy servicing without disconnecting any wiring. “Wireless” fixture unit easily threads off mounting hood for convenient servicing or for immediate replacement with a “stand-by” unit.
- Factory sealed. External seals not required.
- Globe and driver are all field replaceable.
- LED arrays generate light outputs from 2,100 to 19,000+ lumens (an equivalent of 70 W HID to 750 W HID lamps) providing exceptional efficacy
- Choice of replaceable clear or diffused glass globe.
- Universal, high efficiency, drivers cover voltage requirements for 120-277 Vac 50/60 Hz, 125-300 Vdc and 347-480 Vac, 50/60 Hz, Volts +/- 10%.
- 6KV standard surge suppression for 347-480 Vac and 120-277 Vac input.
- Photometric data and electronic drawings available upon request.
- Approved for use in paint spray booths.

Standard Materials

- Mounting hoods and bodies: cast copperfree (4/10 of 1% max.) aluminum
- All hardware, catch assemblies and yoke bracket: stainless steel
- Gaskets: silicone
- Globe: explosionproof glass

Standard Finishes

- Mounting hoods, bodies, and guards: baked gray epoxy clad finish, electrostatically applied for complete uniform protection

Options

- Safety cable, add suffix **-C**.
- Lens guard, add suffix **-G**.
- Fusing, add suffix **-F** ⌘.

NEC/CEC Certifications and Compliances

- UL Standard: UL 50, UL 50E, UL 844, UL 1598, UL 1598A, UL 8750
- CSA Standard: CAN/CSA-C22.2 No. 94.1-07 (R2012), CAN/CSA-C22.2 No. 94.2-07 (R2012), CAN/CSA-C22.2 No. 137-M1981 (R2009), CAN/CSA-C22.2 No. 250.0-08 (R2013), CAN/CSA-C22.2 No. 250.13, CAN/CSA-C22.2 No. 60529-05 (R2010)
- ANSI Standard: ANSI/IEC 60529
- cCSAus Certified: 70030675

① Complete Code•Master LED luminaire consists of fixture unit and a mounting hood. For Group B applications a Group B rated mounting hood must be used.

② Nominal light value for 5000K clear glass globe.

⌘ Use of a fuse voids Marine Outside Type (Salt Water) rating.

Code•Master™ LED Factory Sealed Luminaires

Explosionproof, Dust-Ignitionproof

NEC/CEC:

Class I, Division 1 and 2, Groups B, C, D ①
 Class I, Zone 1, Groups IIA, IIB, IIB + H₂
 Class II, Division 1, Group E, F, G
 Class II, Division 2, Group F, G

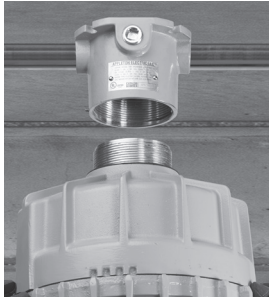
NEC/CEC:

Class III
 Simultaneous Exposure
 Type 3R, 4X
 IP66/67

NEC/CEC:

Suitable for Use in Wet Locations
 Marine Outside Type (Salt Water) ⌘
 Approved for use in Paint Spray Booths

Illustrated Features



Mounting Hood Compatibility

Code•Master LED is compatible with existing Code•Master mounting hoods. For easy installation, install and wire the mounting hood and simply thread in fixture. Double lead Acme threads are provided for ease of installation.



Rugged and Durable Housing

Mounting hoods and bodies are copper free aluminum with baked epoxy-clad finish, electrostatically applied for complete uniform protection.



Optional Safety Cable

Provides secondary retention for lighting fixtures.



Driver Assembly

Driver can be easily accessed and replaced.



Optional Fusing *

Fuse kit includes fuse, fuse holder and necessary hardware for field installation.



Optional Trunnion/Yoke Mount

Trunnion/yoke mount allows the fixture to be aimed in a desired position.



Replaceable Globe Assembly

The replaceable globe assembly is available with clear or diffuse glass.



Optional Wire Guard

Stainless steel wire guard can be used for additional protection.

LED/AREA: NEC/CEC EXPLOSIONPROOF

APPLETON™

① Complete Code•Master LED luminaire consists of fixture unit and a mounting hood. For Group B applications a Group B rated mounting hood must be used.
 ⌘ Use of a fuse voids Marine Outside Type (Salt Water) rating.

Code•Master™ LED Factory Sealed Luminaires

Explosionproof, Dust-Ignitionproof

NEC/CEC:

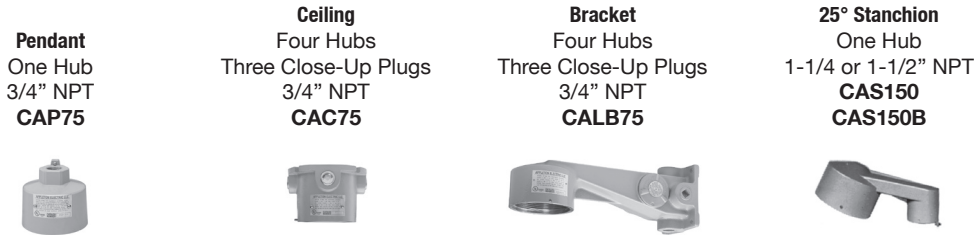
Class I, Division 1 and 2, Groups B, C, D ①
 Class I, Zone 1, Groups IIA, IIB, IIB + H₂
 Class II, Division 1, Group E, F, G
 Class II, Division 2, Group F, G

NEC/CEC:

Class III
 Simultaneous Exposure
 Type 3R, 4X
 IP66/67

NEC/CEC:

Suitable for Use in Wet Locations
 Marine Outside Type (Salt Water) ⌘
 Approved for use in Paint Spray Booths



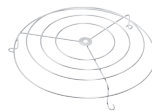
**Code•Master LED Fixture Unit
 CMLED**



**Clear Glass Globe
 CGL-CLEAR**



**Diffused Glass Globe
 CGL-DIFF**



**Glass Globe Guard
 (Optional)
 CMLEDGU**

LED/AREA: NEC/CEC EXPLOSIONPROOF

APPLETON™

① When using the 25° Stanchion mounting hood in group B applications part number CAS-150B must be used.

⌘ Use of a fuse voids Marine Outside Type (Salt Water) rating.

Code•Master™ LED Factory Sealed Luminaires

Explosionproof, Dust-Ignitionproof

NEC/CEC:

Class I, Division 1 and 2, Groups B, C, D ①
 Class I, Zone 1, Groups IIA, IIB, IIB + H₂
 Class II, Division 1, Group E, F, G
 Class II, Division 2, Group F, G

NEC/CEC:

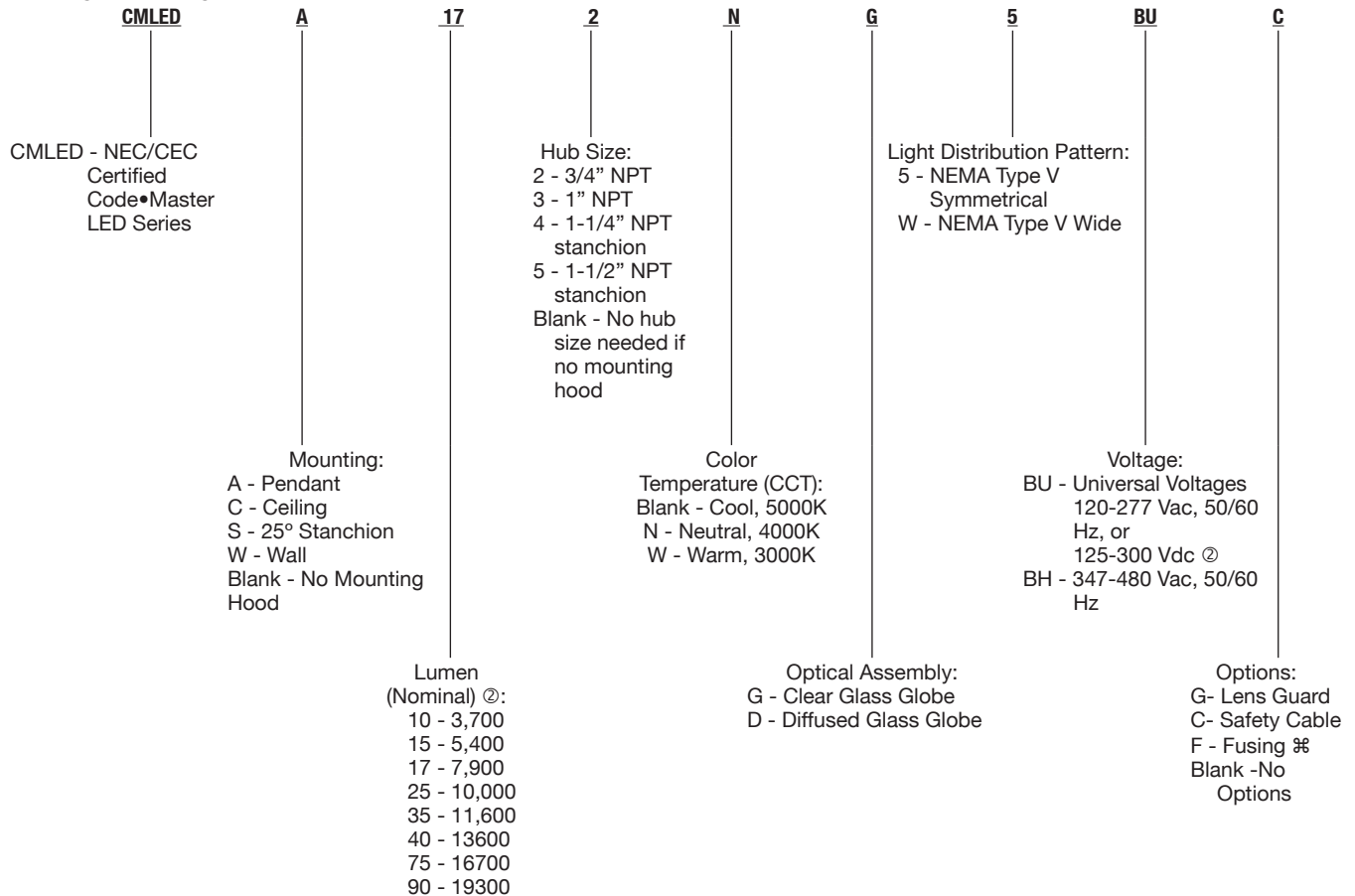
Class III
 Simultaneous Exposure
 Type 3R, 4X
 IP66/67

NEC/CEC:

Suitable for Use in Wet Locations
 Marine Outside Type (Salt Water) ⌘
 Approved for use in Paint Spray Booths

Order using catalog numbering guides below or select catalog number from tables on following pages.

Catalog Numbering Guide



LED/AREA: NEC/CEC EXPLOSIONPROOF

APPLETON™

① Complete Code•Master LED luminaire consists of fixture unit and a mounting hood. For Group B applications a Group B rated mounting hood must be used.
 ② Nominal light value for 5000K clear glass globe.
 ⌘ Use of a fuse voids Marine Outside Type (Salt Water) rating.

Code•Master™ LED Factory Sealed Luminaires

Explosionproof, Dust-Ignitionproof

NEC/CEC:

Class I, Division 1 and 2, Groups B, C, D ①
 Class I, Zone 1, Groups IIA, IIB, IIB + H₂
 Class II, Division 1, Group E, F, G
 Class II, Division 2, Group F, G

NEC/CEC:

Class III
 Simultaneous Exposure
 Type 3R, 4X
 IP66/67

NEC/CEC:

Suitable for Use in Wet Locations
 Marine Outside Type (Salt Water) ‡
 Approved for use in Paint Spray Booths

LED/AREA: NEC/CEC EXPLOSIONPROOF

APPLETON™

Type ②	Ambient Temperature C° (F°)	Supply Wire Temperature C° (F°)	Class I, Division 1 (Gas)	Class I, Zone 1 (Gas)	Class II Division 1 (Dust) & Simultaneous Exposure
CMLED10	40 (104)	90 (104)	T6	T6	T6
	55 (131)	90 (104)	T6	T6	T6
	65 (140)	90 (104)	T6	T6	T6
CMLED15	40 (104)	90 (104)	T6	T6	T6
	55 (131)	90 (104)	T6	T6	T6
	65 (140)	90 (104)	T6	T6	T6
CMLED17	40 (104)	90 (104)	T6	T6	T6
	55 (131)	90 (104)	T6	T6	T6
	65 (140)	90 (104)	T5	T5	T5
CMLED25	40 (104)	90 (104)	T6	T6	T6
	55 (131)	90 (104)	T6	T6	T5
	65 (140)	90 (104)	T5	T5	T5
CMLED35	40 (104)	90 (104)	T6	T6	T6
	55 (131)	90 (104)	T5	T5	T75
	65 (140)	90 (104)	T5	T5	T4A
CMLED40	40 (104)	90 (104)	T6	T6	T6
	55 (131)	90 (104)	T5	T5	T5
	65 (140)	90 (104)	T4A	T4	T4A
CMLED75	40 (104)	90 (104)	T5	T5	T5
	55 (131)	90 (104)	T5	T5	T4A
	65 (140)	90 (104)	T4A	T4	T4A
CMLED90	40 (104)	90 (104)	T5	T5	T4A
	55 (131)	90 (104)	T4A	T4	T4A

“T” Numbers Represent the Maximum Surface Temperature for Class I, Division 1 locations and Maximum Surface Temperature Under Dust Blanket for Class II, Division 1 Locations.

“T” #	T1	350	325	T2	T2A	T2B	T2C	T2D	T3	T3A	T3B	T3C	T4	T4A	T5	T6
Temp. Range °C (°F)	351-450 (664-842)	326-350 (619-662)	301-325 (574-617)	281-300 (538-572)	261-280 (502-536)	231-260 (448-500)	216-230 (421-446)	201-215 (394-419)	181-200 (358-392)	166-180 (331-356)	161-165 (322-329)	136-160 (277-320)	121-135 (250-275)	101-120 (214-248)	86-100 (187-212)	85 (185)

① Complete Code•Master LED luminaire consists of fixture unit and a mounting hood. For Group B applications a Group B rated mounting hood must be used.

② T-Codes are using the "APMS" drivers.

‡ Use of a fuse voids Marine Outside Type (Salt Water) rating.

Code•Master™ LED Factory Sealed Luminaires

Explosionproof, Dust-Ignitionproof

NEC/CEC:

Class I, Division 1 and 2, Groups B, C, D ①
 Class I, Zone 1, Groups IIA, IIB, IIB + H₂
 Class II, Division 1, Group E, F, G
 Class II, Division 2, Group F, G

NEC/CEC:

Class III
 Simultaneous Exposure
 Type 3R, 4X
 IP66/67

NEC/CEC:

Suitable for Use in Wet Locations
 Marine Outside Type (Salt Water) ⌘
 Approved for use in Paint Spray Booths

Lumen Output for Clear Glass Globe

		Lumen Output (Efficacy) for Clear Glass Globe ②							
		CMLED10	CMLED15	CMLED17	CMLED25	CMLED35	CMLED40	CMLED75	CMLED90
Type V	5000K CCT, 70 CRI	3700 (123)	5400 (120)	7900 (132)	10000 (130)	11600 (128)	13600 (131)	16700 (126)	19300 (123)
Type V Wide	5000K CCT, 70 CRI	3300 (108)	5000 (112)	7200 (120)	8900 (117)	10400 (115)	11800 (114)	14500 (110)	16700 (106)
Type V	4000K CCT, 80 CRI	3600 (117)	5100 (115)	7900 (131)	9900 (130)	11600 (128)	13500 (131)	16600 (127)	19300 (122)
Type V Wide	4000K CCT, 80 CRI	3300 (108)	4700 (105)	7100 (118)	8800 (115)	10300 (113)	11600 (112)	14200 (109)	16400 (105)
Type V	3000K CCT, 80 CRI	3200 (106)	4600 (104)	7200 (120)	9100 (119)	10600 (117)	12000 (117)	14700 (112)	17100 (109)
Type V Wide	3000K CCT, 80 CRI	3000 (97)	4200 (95)	6500 (108)	8000 (105)	9400 (103)	10600 (103)	13000 (99)	15000 (95)

		Lumen Output (Efficacy) for Diffused Glass Globe							
		CMLED10	CMLED15	CMLED17	CMLED25	CMLED35	CMLED40	CMLED75	CMLED90
Type V	5000K CCT, 70 CRI	3200 (106)	4600 (104)	6500 (109)	8300 (108)	9600 (106)	11200 (109)	13700 (104)	15800 (101)
Type V Wide	5000K CCT, 70 CRI	2600 (84)	3900 (88)	5700 (95)	7100 (92)	8300 (91)	9400 (91)	11500 (88)	13200 (84)
Type V	4000K CCT, 80 CRI	3100 (100)	4400 (99)	6500 (109)	8200 (107)	9600 (106)	11200 (108)	13700 (104)	15700 (100)
Type V Wide	4000K CCT, 80 CRI	2600 (84)	3700 (83)	5600 (94)	7000 (91)	8200 (90)	9200 (90)	11300 (86)	13100 (83)
Type V	3000K CCT, 80 CRI	2800 (91)	4000 (89)	5900 (99)	7500 (98)	8800 (96)	9900 (96)	12200 (93)	14100 (90)
Type V Wide	3000K CCT, 80 CRI	2300 (76)	3300 (75)	5200 (86)	6400 (84)	7500 (82)	8500 (82)	10400 (79)	12000 (76)

① Complete Code•Master LED luminaire consists of fixture unit and a mounting hood. For Group B applications a Group B rated mounting hood must be used.

② All lumen values are typical (tolerance +/- 10%).

⌘ Use of a fuse voids Marine Outside Type (Salt Water) rating.

Code•Master™ LED Factory Sealed Luminaires

Explosionproof, Dust-Ignitionproof

NEC/CEC:

Class I, Division 1 and 2, Groups B, C, D ①
 Class I, Zone 1, Groups IIA, IIB, IIB + H₂
 Class II, Division 1, Group E, F, G
 Class II, Division 2, Group F, G

NEC/CEC:

Class III
 Simultaneous Exposure
 Type 3R, 4X
 IP66/67

NEC/CEC:

Suitable for Use in Wet Locations
 Marine Outside Type (Salt Water) ⌘
 Approved for use in Paint Spray Booths

Electrical Specifications

Model Number	Voltage Suffix	Voltage	Input Power (Watts)	Input Current (Amp)	Power Factor (PF)	Total Harmonic Distortion (THD)
CMLED10	BU	120 Vac	30	0.26	>.95	<20%
		277 Vac	31	0.12	>.90	<20%
		125 Vdc	31	0.25	N/A	N/A
		300 Vdc	31	0.10	N/A	N/A
	BH	347 Vac	32	0.09	>.95	<20%
		480 Vac	32	0.07	>.90	<20%
CMLED15	BU	120 Vac	45	0.38	>.99	<20%
		277 Vac	44	0.17	>.95	<20%
		125 Vdc	45	0.36	N/A	<20%
		300 Vdc	45	0.15	N/A	<20%
	BH	347 Vac	45	0.13	>.95	<20%
		480 Vac	45	0.10	>.95	<20%
CMLED17	BU	120 Vac	60	0.50	>.99	<20%
		277 Vac	59	0.24	>.90	<20%
		125 Vdc	60	0.98	N/A	<20%
		300 Vdc	60	0.20	N/A	<20%
	BH	347 Vac	60	0.18	>.95	<20%
		480 Vac	60	0.14	>.90	<20%
CMLED25	BU	120 Vac	76	0.64	>.99	<20%
		277 Vac	75	0.29	>.90	<20%
		125 Vdc	77	0.62	N/A	<20%
		300 Vdc	76	0.25	N/A	<20%
	BH	347 Vac	78	0.23	>.95	<20%
		480 Vac	78	0.17	>.90	<20%
CMLED35	BU	120 Vac	91	0.76	>.99	<20%
		277 Vac	89	0.34	>.95	<20%
		125 Vdc	91	0.73	N/A	<20%
		300 Vdc	89	0.30	N/A	<20%
	BH	347 Vac	91	0.27	>.99	<20%
		480 Vac	91	0.20	>.95	<20%

① Complete Code•Master LED luminaire consists of fixture unit and a mounting hood. For Group B applications a Group B rated mounting hood must be used.

⌘ Use of a fuse voids Marine Outside Type (Salt Water) rating.

LED/AREA: NEC/CEC EXPLOSIONPROOF

APPLETON™

Code•Master™ LED Factory Sealed Luminaires

Explosionproof, Dust-Ignitionproof

NEC/CEC:

Class I, Division 1 and 2, Groups B, C, D ①
 Class I, Zone 1, Groups IIA, IIB, IIB + H₂
 Class II, Division 1, Group E, F, G
 Class II, Division 2, Group F, G

NEC/CEC:

Class III
 Simultaneous Exposure
 Type 3R, 4X
 IP66/67

NEC/CEC:

Suitable for Use in Wet Locations
 Marine Outside Type (Salt Water) ⌘
 Approved for use in Paint Spray Booths

Electrical Specifications

Model Number	Voltage Suffix	Voltage	Input Power (Watts)	Input Current (Amp)	Power Factor (PF)	Total Harmonic Distortion (THD)
CMLED40	BU	120 Vac	103	0.85	>.95	<20%
		277 Vac	98	0.39	>.90	<20%
		125 Vdc	101	0.81	N/A	N/A
		300 Vdc	98	0.33	N/A	N/A
	BH	347 Vac	102	0.30	>.99	<20%
		480 Vac	102	0.22	>.95	<20%
CMLED75	BU	120 Vac	132	1.10	>.99	<20%
		277 Vac	126	0.48	>.90	<20%
		125 Vdc	130	1.04	N/A	N/A
		300 Vdc	126	0.42	N/A	N/A
	BH	347 Vac	130	0.38	>.99	<20%
		480 Vac	130	0.28	>.95	<20%
CMLED90	BU	120 Vac	157	1.35	>.99	<20%
		277 Vac	155	0.58	>.90	<20%
		125 Vdc	161	1.29	N/A	N/A
		300 Vdc	156	0.52	N/A	N/A
	BH	347 Vac	159	0.46	>.99	<20%
		480 Vac	158	0.33	>.95	<20%

LED/AREA: NEC/CEC EXPLOSIONPROOF

APPLETON™

① Complete Code•Master LED luminaire consists of fixture unit and a mounting hood. For Group B applications a Group B rated mounting hood must be used.
 ⌘ Use of a fuse voids Marine Outside Type (Salt Water) rating.

Code•Master™ LED Factory Sealed Luminaires

Explosionproof, Dust-Ignitionproof

NEC/CEC:

Class I, Division 1 and 2, Groups B, C, D ①
 Class I, Zone 1, Groups IIA, IIB, IIB + H₂
 Class II, Division 1, Group E, F, G
 Class II, Division 2, Group F, G




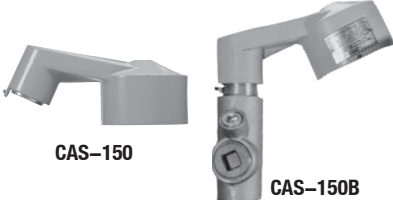
NEC/CEC:

Class III
 Simultaneous Exposure
 Type 3R, 4X
 IP66/67

NEC/CEC:

Suitable for Use in Wet Locations
 Marine Outside Type (Salt Water) ⌘
 Approved for use in Paint Spray Booths

Mounting Hoods

		Certified for Class I, Division 1 and 2, Group		
		Hub Size Inches	cULus Certified	Catalog Number
Pendant				
 CAP-75 & CAP-100	One Hub	3/4	B, C, D	CAP-75
		1	B, C, D	CAP-100
Ceiling				
	Four hubs, Three Close-Up Plugs	3/4	B, C, D	CAC-75
		1	B, C, D	CAC-100
Bracket				
	Four hubs, Three Close-Up Plugs	3/4	B, C, D	CALB-75
		1	B, C, D	CALB-100
25° Stanchion				
 CAS-150	One Hub	1-1/4 or 1-1/2 ②	C, D	CAS-150
		1-1/2	B, C, D	CAS-150B ①

LED/AREA: NEC/CEC EXPLOSIONPROOF

APPLETON™

① When using the 25° Stanchion mounting hood in group B applications part number CAS-150B must be used.

② 1-1/2" tapped hub furnished with 1-1/2" to 1-1/4" reducer.

⌘ Use of a fuse voids Marine Outside Type (Salt Water) rating.

Code•Master™ LED Factory Sealed Luminaires

Explosionproof, Dust-Ignitionproof

NEC/CEC:

Class I, Division 1 and 2, Groups B, C, D ①
 Class I, Zone 1, Groups IIA, IIB, IIB + H₂
 Class II, Division 1, Group E, F, G
 Class II, Division 2, Group F, G




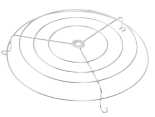


NEC/CEC:

Class III
 Simultaneous Exposure
 Type 3R, 4X
 IP66/67

NEC/CEC:

Suitable for Use in Wet Locations
 Marine Outside Type (Salt Water) ⌘
 Approved for use in Paint Spray Booths

Accessories and Replacement Parts

	Description	Catalog Number
Fuse Kits ⌘		
	5 Amp Fuse Kit	CMLEDF-5
Globes and Gaskets		
	Clear Globe Assembly	CGL-CLEAR
	Diffused Globe Assembly	CGL-DIFF
	Stainless Steel Wire Guard	CMLEDGU
	Safety Cable	CMLEDSC
	Yoke Bracket	CMLEDYOKE

LED/AREA: NEC/CEC EXPLOSIONPROOF

APPLETON™

① Complete Code•Master LED luminaire consists of fixture unit and a mounting hood. For Group B applications a Group B rated mounting hood must be used.
 ⌘ Use of a fuse voids Marine Outside Type (Salt Water) rating.

Code•Master™ LED Factory Sealed Luminaires

Explosionproof, Dust-Ignitionproof

NEC/CEC:

Class I, Division 1 and 2, Groups B, C, D ①
 Class I, Zone 1, Groups IIA, IIB, IIB + H₂
 Class II, Division 1, Group E, F, G
 Class II, Division 2, Group F, G




NEC/CEC:

Class III
 Simultaneous Exposure
 Type 3R, 4X
 IP66/67


NEC/CEC:

Suitable for Use in Wet Locations
 Marine Outside Type (Salt Water) ‡
 Approved for use in Paint Spray Booths

Replacement Drivers

	Voltage	Driver Wattage	Luminaire Model	Constant Current Settings	Catalog Number
	BU	50 Watt	CMLED10	500mA	APMS050C135UD50
	BH				APMS050C135HD50
	BU	50 Watt	CMLED15	780mA	APMS050C135UD75
	BH				APMS050C135HD75
	BU	100 Watt	CMLED17	360mA	APMS100C105UD37
	BH				APMS100C105HD37
	BU	100 Watt	CMLED25	480mA	APMS100C105UD48
	BH				APMS100C105HD48
	BU	100 Watt	CMLED35	595mA	APMS100C105UD57
	BH				APMS100C105HD57
	BU	150 Watt	CMLED40	650mA	APMS150C105UD65
	BH				APMS150C105HD65
	BU	150 Watt	CMLED75	820mA	APMS150C105UD82
	BH				APMS150C105HD82
	BU	150 Watt	CMLED90	960mA	APMS150C105UD98
	BH				APMS150C105HD98

Replacement Drivers for fixtures without "Model A" marking on label

	Description	Catalog Number
	120 - 277 V Driver (70 thru 250 Watt equivalent only)	CMLEDBU
	347 - 480 V Driver (70 thru 350 Watt equivalent only)	CMLEDBH
	120 - 277 V Driver (400 Watt equivalent only)	CMLEDBU40

① Complete Code•Master LED luminaire consists of fixture unit and a mounting hood. For Group B applications a Group B rated mounting hood must be used.

② BU = 120 - 277 Vac, 50/60 Hz or 125 - 300 Vdc; BU = 347 - 480, 50/60 Hz.

‡ Use of a fuse voids Marine Outside Type (Salt Water) rating.

Code•Master™ LED Factory Sealed Luminaires

Explosionproof, Dust-Ignitionproof

NEC/CEC:

Class I, Division 1 and 2, Groups B, C, D ①
 Class I, Zone 1, Groups IIA, IIB, IIB + H₂
 Class II, Division 1, Group E, F, G
 Class II, Division 2, Group F, G

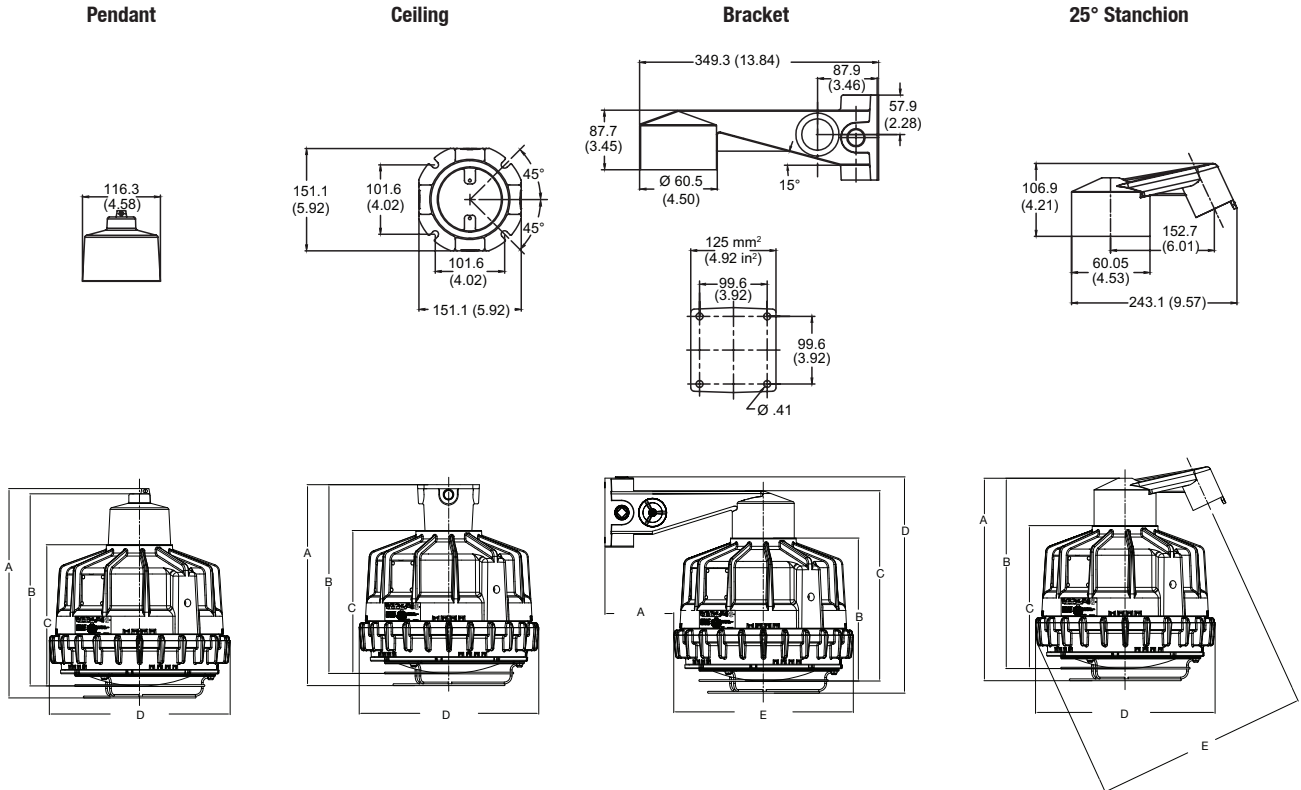
NEC/CEC:

Class III
 Simultaneous Exposure
 Type 3R, 4X
 IP66/67

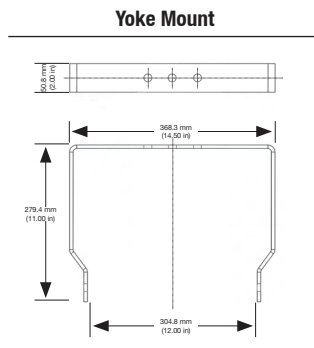
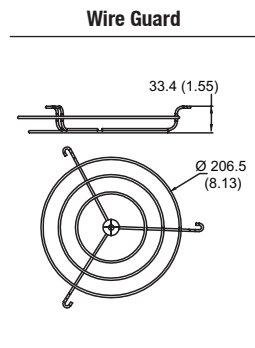
NEC/CEC:

Suitable for Use in Wet Locations
 Marine Outside Type (Salt Water) ⌘
 Approved for use in Paint Spray Booths

Dimensions in Millimeters (Inches)



Pendant				Ceiling				Bracket					25° Stanchion				
A	B	C	D	A	B	C	D	A	B	C	D	E	A	B	C	D	E
384.0	352.0	259.0	331.0	364.0	342.0	259.0	331.0	127.0	259.0	344.0	391.0	331.0	366.0	344.0	259.0	331.0	392.0
(15.1)	(13.9)	(10.2)	(13.0)	(14.3)	(13.5)	(10.2)	(13.0)	(5.0)	(10.2)	(13.6)	(15.4)	(13.0)	(14.4)	(13.6)	(10.2)	(13.0)	(15.4)



Weights

Description	Weight kg (lb)
Fixture Unit (Ballast Housing)	17.2 (38)
Pendant Mounting Hood	0.9 (2)
Ceiling Mounting Hood	1.8 (4)
Wall Mounting Hood	2.7 (6)
25° Stanchion Mounting Hood	0.9 (2)
Wire Guard	0.45 (1)

① Complete Code•Master LED luminaire consists of fixture unit and a mounting hood. For Group B applications a Group B rated mounting hood must be used.
 ⌘ Use of a fuse voids Marine Outside Type (Salt Water) rating.

Code•Master™ LED Factory Sealed Luminaires

Explosionproof, Dust-Ignitionproof

NEC/CEC:

Class I, Division 1 and 2, Groups B, C, D ①
 Class I, Zone 1, Groups IIA, IIB, IIB + H₂
 Class II, Division 1, Group E, F, G
 Class II, Division 2, Group F, G

NEC/CEC:

Class III
 Simultaneous Exposure
 Type 3R, 4X
 IP66/67

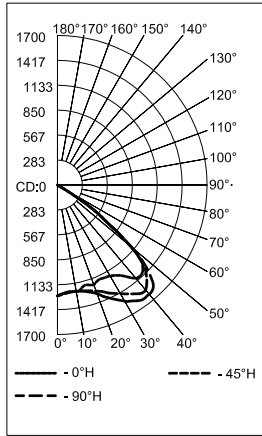
NEC/CEC:

Suitable for Use in Wet Locations
 Marine Outside Type (Salt Water) ⌘
 Approved for use in Paint Spray Booths

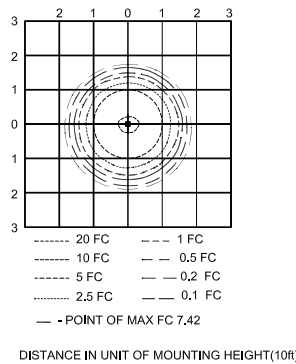
Photometric Data – DATA SHOWN IS ABSOLUTE

Type V, Clear Glass, 5000K CCT
 REPORT NUMBER: CMLLED10G5BU

POLAR CANDELA DISTRIBUTION



ISOFOOT CANDLE PLOT



ZONAL LUMEN SUMMARY

Zone	Lumens	% Luminaire
0-30	1,090.3	29.2%
0-40	2,043.9	54.7%
0-60	3,677.9	98.3%
60-90	60.4	1.6%
70-100	10.9	0.3%
90-120	0.2	0%
0-90	3,738.2	100%
90-180	1.5	0%
0-180	3,739.8	100%

LUMENS PER ZONE

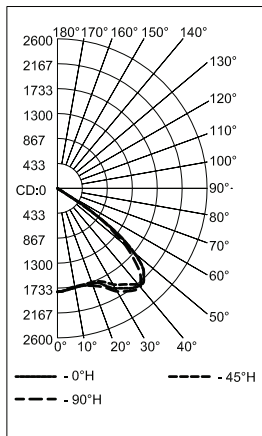
Zone	Lumens	% Total	Zone	Lumens	% Total
0-10	116.4	3.1%	90-100	0.2	0
10-20	349.9	9.4%	100-110	0	0
20-30	624.0	16.7%	110-120	0	0
30-40	953.5	25.5%	120-130	0	0
40-50	1,102.0	29.5%	130-140	0.2	0
50-60	532.0	14.2%	140-150	0.5	0
60-70	49.6	1.3%	150-160	0.4	0
70-80	8.5	0.2%	160-170	0.2	0
80-90	2.2	0.1%	170-180	0.1	0

LED/AREA: NEC/CEC EXPLOSIONPROOF

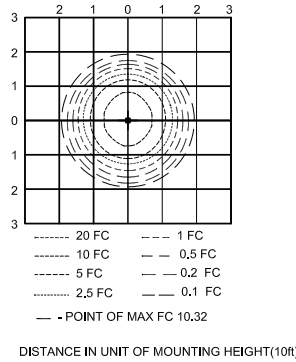
APPLETON™

Type V, Clear Glass, 5000K CCT
 REPORT NUMBER: CMLLED15G5BU

POLAR CANDELA DISTRIBUTION



ISOFOOT CANDLE PLOT



ZONAL LUMEN SUMMARY

Zone	Lumens	% Luminaire
0-30	1,573.4	29.3%
0-40	2,948.7	54.9%
0-60	5,289.7	98.4%
60-90	83.0	1.5%
70-100	14.2	0.3%
90-120	0.3	0%
0-90	5,372.7	100%
90-180	2.2	0%
0-180	5,374.9	100%

LUMENS PER ZONE

Zone	Lumens	% Total	Zone	Lumens	% Total
0-10	167.6	3.1%	90-100	0.3	0
10-20	504.2	9.4%	100-110	0	0
20-30	901.6	16.8%	110-120	0	0
30-40	1,375.2	25.6%	120-130	0.1	0
40-50	1,584.4	29.5%	130-140	0.6	0
50-60	756.7	14.1%	140-150	0.5	0
60-70	69.1	1.3%	150-160	0.4	0
70-80	11.2	0.2%	160-170	0.3	0
80-90	2.7	0.1%	170-180	0.1	0

① Complete Code•Master LED luminaire consists of fixture unit and a mounting hood. For Group B applications a Group B rated mounting hood must be used.
 ⌘ Use of a fuse voids Marine Outside Type (Salt Water) rating.

Code•Master™ LED Factory Sealed Luminaires

Explosionproof, Dust-Ignitionproof

NEC/CEC:

Class I, Division 1 and 2, Groups B, C, D ①
 Class I, Zone 1, Groups IIA, IIB, IIB + H₂
 Class II, Division 1, Group E, F, G
 Class II, Division 2, Group F, G

NEC/CEC:

Class III
 Simultaneous Exposure
 Type 3R, 4X
 IP66/67

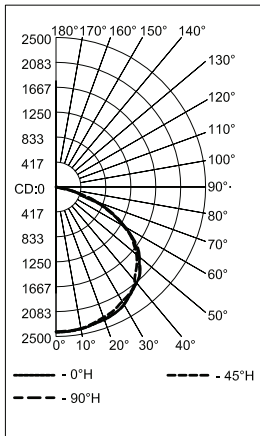
NEC/CEC:

Suitable for Use in Wet Locations
 Marine Outside Type (Salt Water) ⌘
 Approved for use in Paint Spray Booths

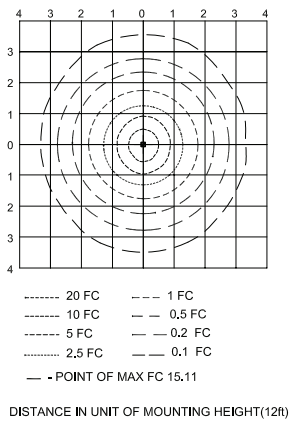
Photometric Data – DATA SHOWN IS ABSOLUTE

Type V, Clear Glass, 5000K CCT
 REPORT NUMBER: CMLLED17G5BU

POLAR CANDELA DISTRIBUTION



ISOFOOT CANDLE PLOT



ZONAL LUMEN SUMMARY

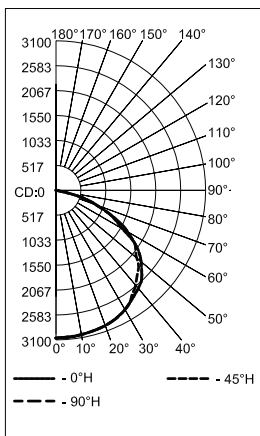
Zone	Lumens	% Luminaire
0-30	1,959.3	24.8%
0-40	3,313.1	42%
0-60	6,266.9	79.4%
60-90	1,620.6	20.5%
70-100	560.1	7.1%
90-120	1.0	0%
0-90	7,887.5	100%
90-180	3.2	0%
0-180	7,890.7	100%

LUMENS PER ZONE

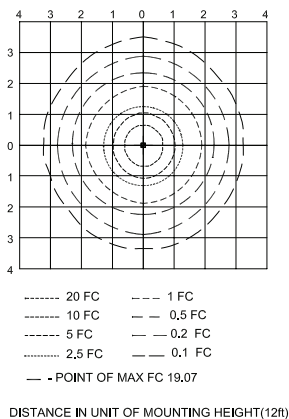
Zone	Lumens	% Total	Zone	Lumens	% Total
0-10	116.4	3.1%	90-100	0.2	0
10-20	349.9	9.4%	100-110	0	0
20-30	624.0	16.7%	110-120	0	0
30-40	953.5	25.5%	120-130	0	0
40-50	1,102.0	29.5%	130-140	0.2	0
50-60	532.0	14.2%	140-150	0.5	0
60-70	49.6	1.3%	150-160	0.4	0
70-80	8.5	0.2%	160-170	0.2	0
80-90	2.2	0.1%	170-180	0.1	0

Type V, Clear Glass, 5000K CCT
 REPORT NUMBER: CMLLED25G5BU

POLAR CANDELA DISTRIBUTION



ISOFOOT CANDLE PLOT



ZONAL LUMEN SUMMARY

Zone	Lumens	% Luminaire
0-30	2,482.0	24.9%
0-40	4,197.1	42.1%
0-60	7,931.9	79.6%
60-90	2,033.5	20.4%
70-100	696.8	7%
90-120	1.3	0%
0-90	9,965.4	100%
90-180	4.0	0%
0-180	9,969.4	100%

LUMENS PER ZONE

Zone	Lumens	% Total	Zone	Lumens	% Total
0-10	289.4	2.9%	90-100	1.2	0
10-20	847.5	8.5%	100-110	0.1	0
20-30	1,345.1	13.5%	110-120	0.0	0
30-40	1,715.1	17.2%	120-130	0.4	0
40-50	1,912.2	19.2%	130-140	0.8	0
50-60	1,822.5	18.3%	140-150	0.6	0
60-70	1,337.9	13.4%	150-160	0.5	0
70-80	632.0	6.3%	160-170	0.3	0
80-90	63.6	0.6%	170-180	0.2	0

① Complete Code•Master LED luminaire consists of fixture unit and a mounting hood. For Group B applications a Group B rated mounting hood must be used.
 ⌘ Use of a fuse voids Marine Outside Type (Salt Water) rating.

Code•Master™ LED Factory Sealed Luminaires

Explosionproof, Dust-Ignitionproof

NEC/CEC:

Class I, Division 1 and 2, Groups B, C, D ①
 Class I, Zone 1, Groups IIA, IIB, IIB + H₂
 Class II, Division 1, Group E, F, G
 Class II, Division 2, Group F, G

NEC/CEC:

Class III
 Simultaneous Exposure
 Type 3R, 4X
 IP66/67

NEC/CEC:

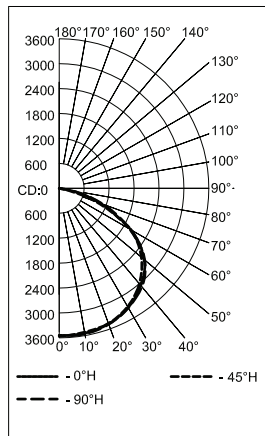
Suitable for Use in Wet Locations
 Marine Outside Type (Salt Water) ⌘
 Approved for use in Paint Spray Booths

Photometric Data — DATA SHOWN IS ABSOLUTE

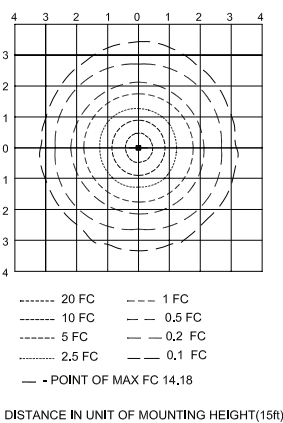
Type V, Clear Glass, 5000K CCT

REPORT NUMBER: CMLLED35G5BU

POLAR CANDELA DISTRIBUTION



ISOFOOT CANDLE PLOT



ZONAL LUMEN SUMMARY

Zone	Lumens	% Linaire
0-30	2,894.8	24.9%
0-40	4,897.1	42.1%
0-60	9,259.1	79.6%
60-90	2,372.4	20.4%
70-100	816.1	7%
90-120	3.4	0%
0-90	11,631.6	99.9%
90-180	7.7	0.1%
0-180	11,639.3	100%

LUMENS PER ZONE

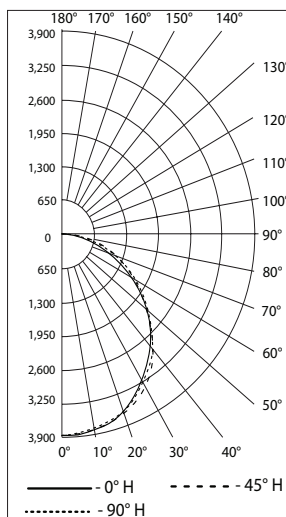
Zone	Lumens	% Total	Zone	Lumens	% Total
0-10	337.3	2.9%	90-100	1.6	0
10-20	988.8	8.5%	100-110	0.8	0
20-30	1,568.7	13.5%	110-120	0.9	0
30-40	2,002.3	17.2%	120-130	0.9	0
40-50	2,232.9	19.2%	130-140	0.8	0
50-60	2,129.2	18.3%	140-150	0.9	0
60-70	1,557.9	13.4%	150-160	0.9	0
70-80	738.7	6.3%	160-170	0.6	0
80-90	75.8	0.7%	170-180	0.2	0

LED/AREA: NEC/CEC EXPLOSIONPROOF

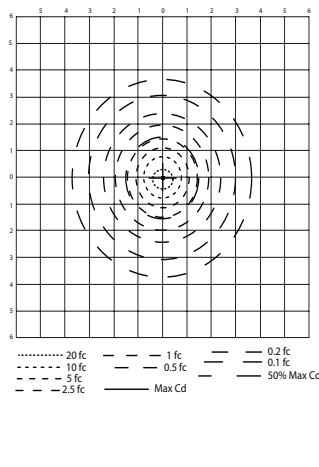
Type V, Clear Glass, 5000K CCT

REPORT NUMBER: CMLLED40G5BU

POLAR CANDELA DISTRIBUTION



ISOFOOT CANDLE PLOT



ZONAL LUMEN SUMMARY

Zone	Lumens	% Linaire
0-30	3,441.9	25.4
0-40	5,808.0	42.8
0-60	10,874.3	80.2
60-90	2,681.4	19.8
70-100	917.3	6.8
90-120	4.0	0
0-90	13,555.6	99.9
90-180	7.2	0.1
0-180	13,562.9	100

LUMENS PER ZONE

Zone	Lumens	% Total	Zone	Lumens	% Total
0-10	402.3	3.0	90-100	2.6	0
10-20	1,179.4	8.7	100-110	0.7	0
20-30	1,860.2	13.7			
30-40	2,366.1	17.4			
40-50	2,609.2	19.2			
50-60	2,457.1	18.1			
60-70	1,766.8	13.0			
70-80	821.2	6.1			
80-90	93.4	0.7			

APPLETON™

① Complete Code•Master LED luminaire consists of fixture unit and a mounting hood. For Group B applications a Group B rated mounting hood must be used.
 * Use of a fuse voids Marine Outside Type (Salt Water) rating.

Code•Master™ LED Factory Sealed Luminaires

Explosionproof, Dust-Ignitionproof

NEC/CEC:

Class I, Division 1 and 2, Groups B, C, D ①
 Class I, Zone 1, Groups IIA, IIB, IIB + H₂
 Class II, Division 1, Group E, F, G
 Class II, Division 2, Group F, G

NEC/CEC:

Class III
 Simultaneous Exposure
 Type 3R, 4X
 IP66/67

NEC/CEC:

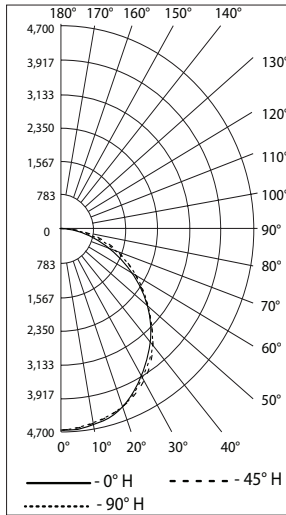
Suitable for Use in Wet Locations
 Marine Outside Type (Salt Water) ⌘
 Approved for use in Paint Spray Booths

Photometric Data – DATA SHOWN IS ABSOLUTE

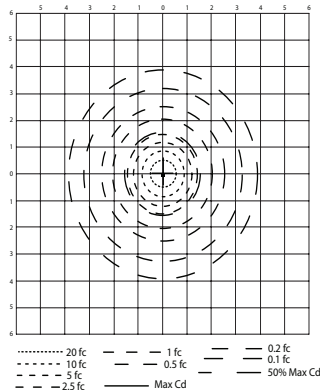
Type V, Clear Glass, 5000K CCT

REPORT NUMBER: CMLLED75G5BU

POLAR CANDELA DISTRIBUTION



ISOFOOT CANDLE PLOT



ZONAL LUMEN SUMMARY

Zone	Lumens	% Luminaire
0-30	4,249.2	25.4
0-40	7,168.9	42.9
0-60	13,411.1	80.2
60-90	3,295.9	19.7
70-100	1,127.6	6.7
90-120	4.7	0
0-90	16,707.0	99.9
90-180	8.8	0.1
0-180	16,715.8	100.0

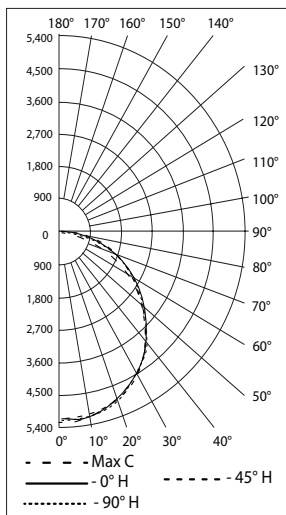
LUMENS PER ZONE

Zone	Lumens	% Total	Zone	Lumens	% Total
0-10	496.7	3.0	90-100	3.2	0
10-20	1,456.1	8.7	100-110	0.8	0
20-30	2,296.4	13.7			
30-40	2,919.7	17.5			
40-50	3,217.1	19.2			
50-60	3,025.1	18.1			
60-70	2,171.4	13.0			
70-80	1,009.8	6.0			
80-90	114.7	0.7			

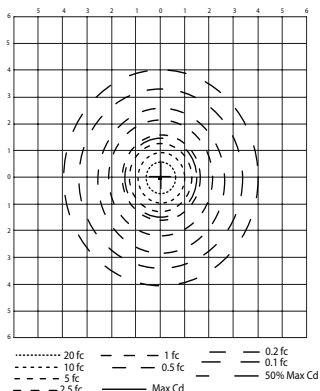
Type V, Clear Glass, 5000K CCT

REPORT NUMBER: CMLLED90G5BU

POLAR CANDELA DISTRIBUTION



ISOFOOT CANDLE PLOT



ZONAL LUMEN SUMMARY

Zone	Lumens	% Luminaire
0-30	4,927.2	25.4
0-40	8,295.2	42.9
0-60	15,516.1	80.2
60-90	3,810.1	19.7
70-100	1,302.8	6.7
90-120	5.7	0
0-90	19,326.2	99.9
90-180	10.3	0.1
0-180	19,337.0	100

LUMENS PER ZONE

Zone	Lumens	% Total	Zone	Lumens	% Total
0-10	574.8	3.0	90-100	3.7	0
10-20	1,685.1	8.7	100-110	1.0	0
20-30	2,657.3	13.7			
30-40	3,378.0	17.5			
40-50	3,721.6	19.2			
50-60	3,499.3	18.1			
60-70	2,511.0	13.0			
70-80	1,165.7	6.0			
80-90	133.5	0.7			

① Complete Code•Master LED luminaire consists of fixture unit and a mounting hood. For Group B applications a Group B rated mounting hood must be used.
 * Use of a fuse voids Marine Outside Type (Salt Water) rating.